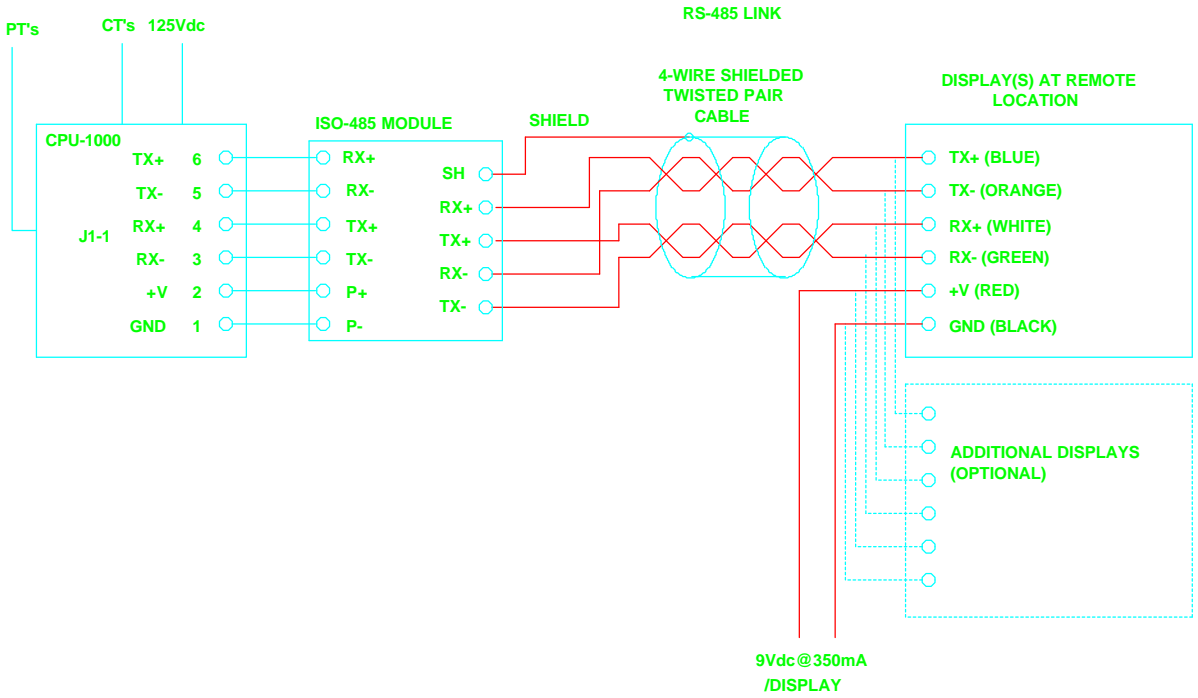



REVISION HISTORY					
REV	BY	RELEASE DATE	DESCRIPTION	ORIGINATOR	ECN NO:
A	TB	9/25/98	FIRST RELEASE	TB	0135



NOTE:
DISPLAYS MUST BE DAISY CHAINED FOR
PROPER RS-485 HOOKUP.

9Vdc@350mA
/DISPLAY

NOTES:
1. MAIN ASSY. NO: E105101

ACCEL SCH GENERATED DRAWING			 Electro Industries/Gaugetech 1800 SHAMES DRIVE WESTBURY, NEW YORK 11590-1730		
<small>THESE DRAWINGS AND SPECIFICATIONS ARE THE PROPERTY OF ELECTRO INDUSTRIES AND SHALL NOT BE REPRODUCED, COPIED, OR USED FOR MANUFACTURE OR SALE OF APPARATUS WITHOUT WRITTEN PERMISSION OF ELECTRO INDUSTRIES.</small>					
		DATE		TITLE: <i>FUTURA DISPLAY HOOKUP USING ISO-485 MODULE</i> TITLE DESCRIPTION: HOOKUP DIAGRAM	
DRAWN BY:		TB	9/25/98		
ENGINEER CHECK:		TB	9/25/98		
DOCUMENTATION CHECK:		PGK	9/25/98		
SIZE	SCALE	PART NUMBER:		REV. NO	ECN NO:
B	N/A	E105701		A	0135
		RELEASE DATE	SHEET / OF		
		9/25/98	1 / 1		