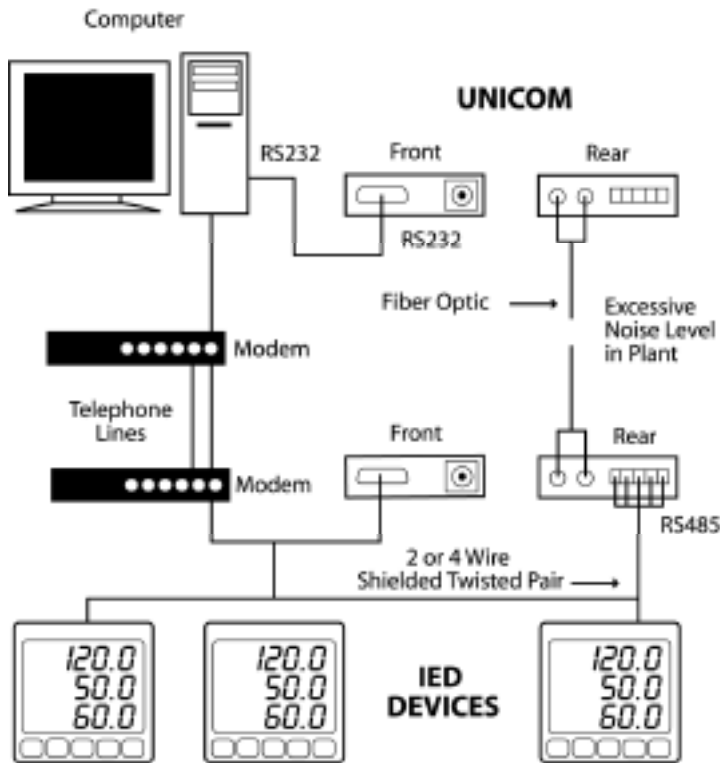


Isolated Universal Connection Converter

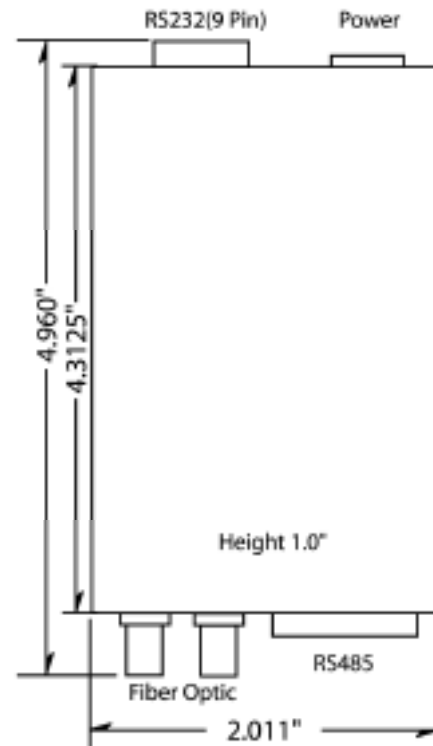
Converts RS485 to RS232 or to Fiber Optic

UNICOM 2500

Wiring Diagram



Dimensions



Specifications

Isolation

2500 volts from input to output

Port Configurations

RS232- 9 Pin Female

RS485- 4 Wire and 2 Wire Connector

Fiber Port: 50/125um, 62.5/125um and 100/40um fiber sizes using ST terminated cables

Operates in multi-mode

Power Input

9V DC -24V DC or 7V AC-20V AC Adapter supplied

Ordering Information

Model Number:

UNICOM-2500

Options:

Fiber Option Port - F Option

Typical Ordering Configuration:

UNICOM-2500-F-9PINC



1800 Shames Drive • Westbury, NY 11590 1-877-EIMETER (1-877-346-3837) • Email: sales@electroind.com

Tel: 516-334-0870 • Web Site: www.electroind.com • Fax: 516-338-4741