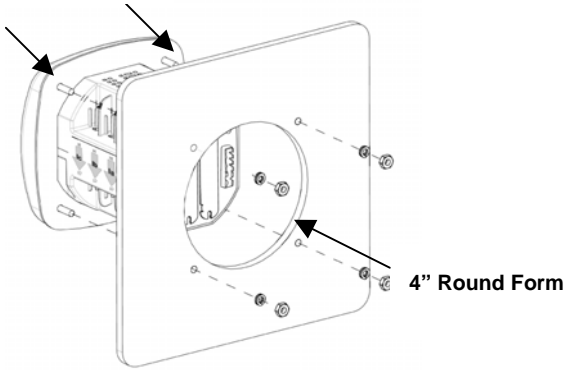


# Quick Start for Shark® 200 Meter

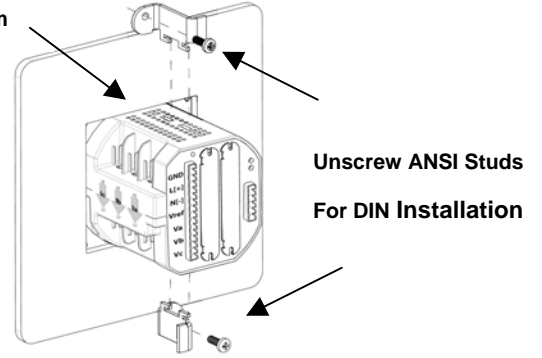
## Mechanical Installation

ANSI Studs



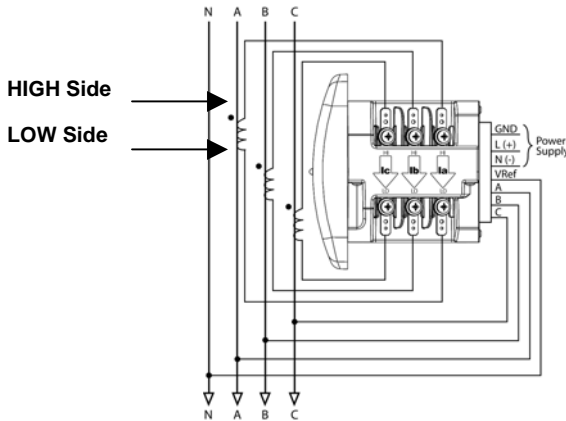
ANSI Installation (4 " Diameter Round Mounting)

92mm Square Form

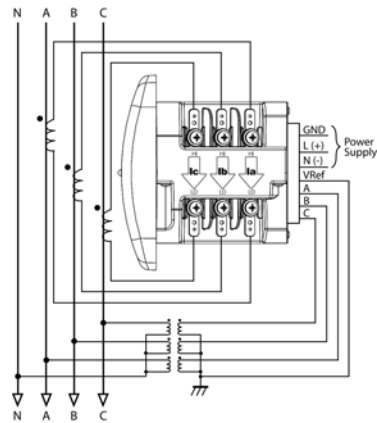


DIN Installation (92 mm Square Mounting)

## Electrical Wiring

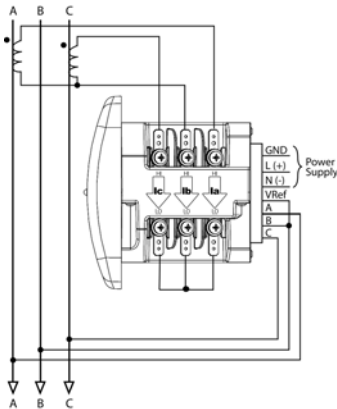


WYE Direct 3 Phase, 4-wire

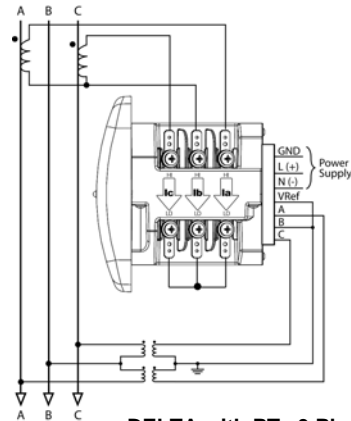


WYE with PTs 3 Phase, 4-wire

**NOTE:** Other wiring configurations are available. See the full Manual on the enclosed CD.



DELTA Direct 3 Phase, 3-wire

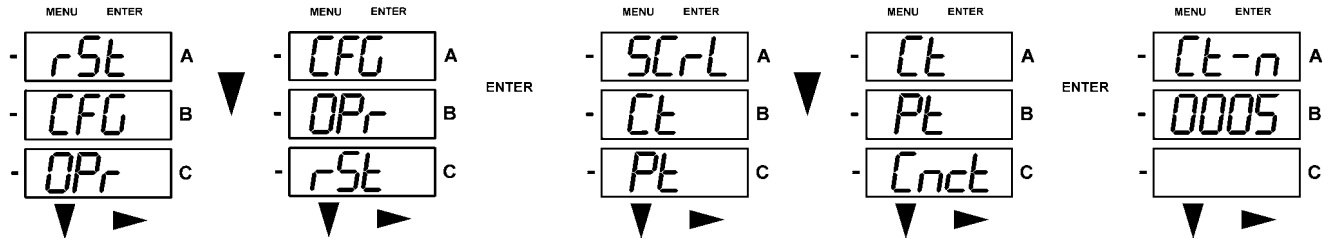


DELTA with PTs 3 Phase, 3-wire

## Program Settings Using the Shark® 200 Meter Faceplate Buttons

### ■ Configuration Mode Using Buttons: MENU, ENTER, DOWN (Arrow) and RIGHT (Arrow)

Push **MENU** from any Readings screen. The MAIN MENU screens appear. Push **DOWN** and the Configuration Mode String (CFG) blinks in A Screen. Push **ENTER**. The Configuration Mode **Scroll, CT, PT** screen appears. Push **DOWN** to scroll to **CT, PT, Cnct**.

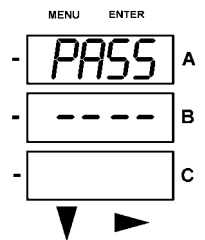


### ■ Enter Password

All parameters in Configuration Mode (except Scroll) require a 4-digit PASSWORD to change a setting. On the CT, PT, Cnct screen, push **ENTER**. The Ct-n screen appears. Push **DOWN** and the Password screen appears.

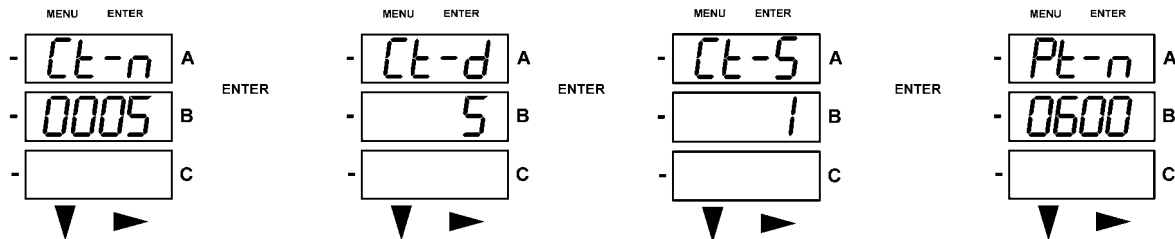
Four dashes appear in the B Screen. The left digit flashes. Use the **DOWN** button to change the digit. Use the **RIGHT** button to move to the next digit. Push **ENTER**.

If the **correct Password** was entered, you return to the Ct-n and the left digit of the setting flashes (ready for change).



### ■ Configure CTs (Example Screens) and PTs

There are 3 CT Screens: Ct-n (Numerator), Ct-d (Denominator) and Ct-S (Scaling). PT Screens are similar. Push **DOWN** to scroll from 0 to 9 to enter a new digit. Push **RIGHT** to move to the next digit. When the new setting is entered, push **ENTER**. The Ct-d screen is **PRESET** at the factory and **cannot be changed**. Push **ENTER**, repeat steps for Ct-S. Push **ENTER**. PT Configuration Screens will appear next, then Connection (Cnct) screens.



#### Example CT Settings:

200/5 Amps:  
800/5 Amps:  
2,000/5 Amps:  
10,000/5 Amps:

Set the Ct-n value for 200, Ct-S value for 1.  
Set the Ct-n value for 800, Ct-S value for 1.  
Set the Ct-n value for 2000, Ct-S value for 1.  
Set the Ct-n value for 1000, Ct-S value for 10.

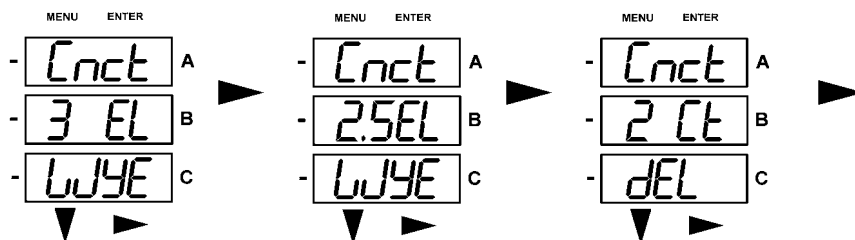
#### Example PT Settings:

14,400/120 Volts:  
138,000/69 Volts:  
345,000/115 Volts:  
345,000/69 Volts

Pt-n value is 1440, Pt-d value is 120, Pt-S value is 10.  
Pt-n value is 1380, Pt-d value is 69, Pt-S value is 100.  
Pt-n value is 3450, Pt-d value is 115, Pt-S value is 100.  
Pt-n value is 345, Pt-d value is 69, Pt-S value is 1000.

**NOTE:** For further details, refer to the *Shark® 200 Meter Installation and Operation Manual* on the enclosed CD.

### ■ Wiring Connection (Cnct)



When you have finished programming the Shark® 200 meter:

Use **RIGHT** to scroll settings. Push **MENU** twice and Stor ALL? YES appears. To store all settings, push **ENTER**. Stor ALL DONE appears.

Or, if you do not want to store the new settings, push **RIGHT** to Stor ALL? no. Push **ENTER** and return to Auto-Scroll Parameter Designators.