

# Solid Core Current Transformer

**Model EI-07RL-600**  
**600 A Primary to 5 A Secondary**  
 Window Diameter 2.48" / 6.3 cm



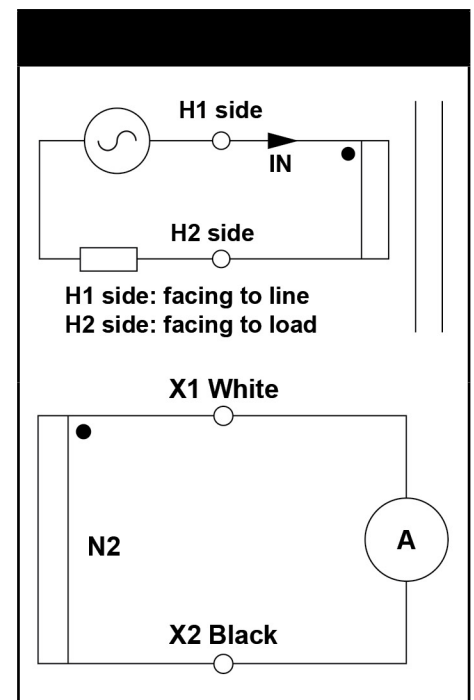
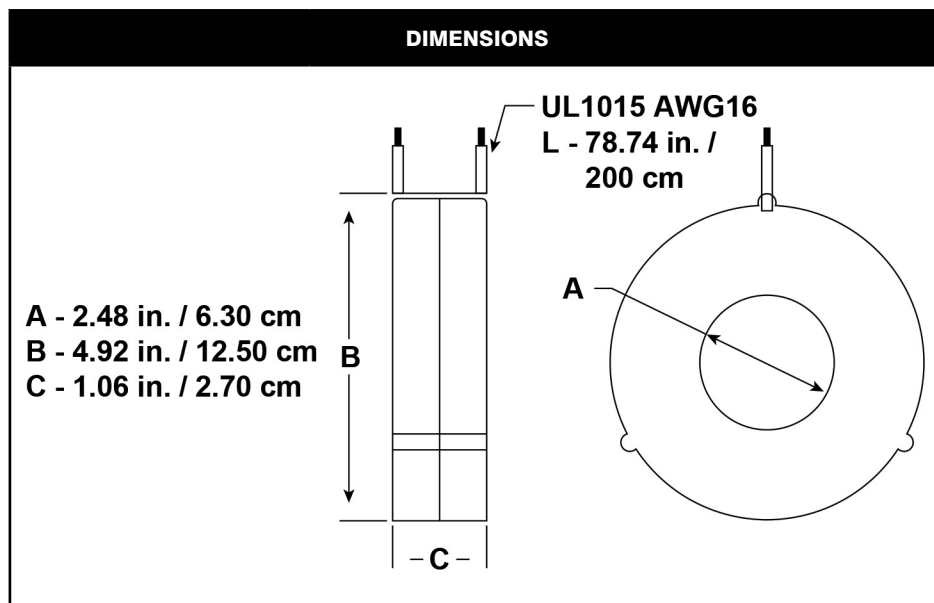
CATALOG NUMBER	CURRENT RATIO	BURDEN (VA)	ACCURACY @ 60 Hz
EI-07RL-600	600:5	30	± 1%

## Specifications

- Standard Primary Input Current - 600 A
- Secondary Output - 5 A
- Frequency - (50 - 400) Hz
- Insulation Level - 600 V AC, BIL 10 KV AC Full-wave
- Mounting Styles - Round, with 6 ft. Wire Leads
- Approximate Weight - 0.93 lbs. / 420 g
- UL 61010B-1, CSA C22.2 1010-1

## CT Polarity

One face of the transformer is identified as H1 and the opposite face is identified as H2. The secondary leads are identified as X1 and X2. Current flowing out of terminal X1 will have the same polarity as current flowing into terminal H1. The H1 side of the CT should face the line (source).



1800 Shames Drive, Westbury, NY 11590 **1-877-EIMETER**  
 (1-877-346-3837) **Tel:** 516-334-0870 **Fax:** 516-338-4741  
**Email:** sales@electroind.com **www.electroind.com**



**EI-07RL-600 webpage**  
 EI-07RL-600 121422 V.1.02