

Current Transformer Model EI-2DARL Series

Window Diameter 1.00"



Application

- Ammeters, watt meters, and Revenue Metering applications

Rating Factor

- EI-2DARL-500 2.0 @ 30 °C
- EI-2DARL-101 1.0 @ 30 °C
- EI-2DARL-201 1.5 @ 30 °C

Frequency

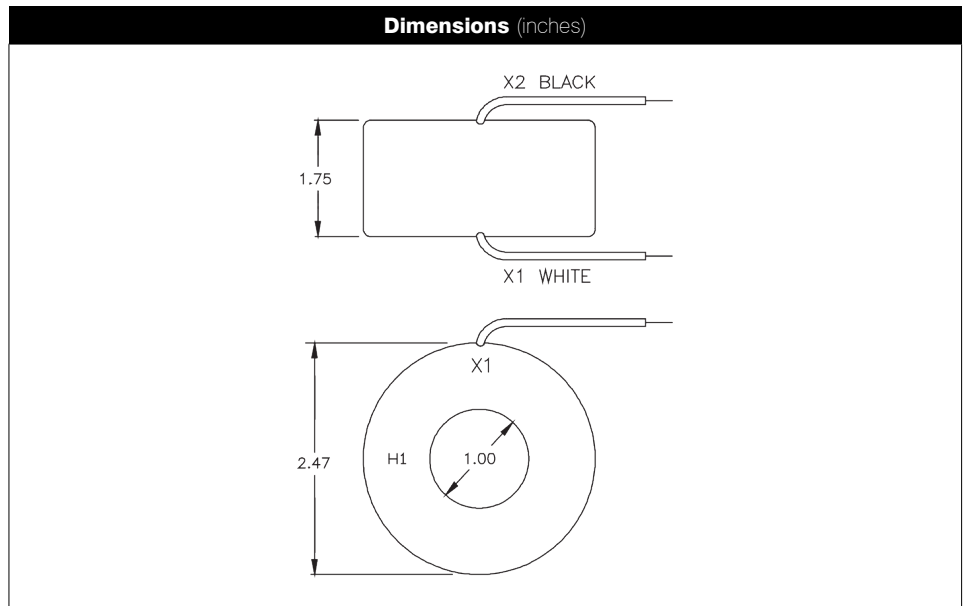
- (50-400) Hz

Insulation Level

- 600 Volts, 10 kV BIL full wave

Flexible leads are UL 1015, 105 °C, CSA approved, #16 AWG, 24" long. Approximate weight is 0.5 lbs.

| Catalog Number | Current Ratio | VA ± Class | ANSI Metering Class @ 60 Hz | | | Secondary Winding Resistance (OHMS @ 75 °C) |
|----------------|---------------|------------|-----------------------------|------|------|---|
| | | | B0.1 | B0.2 | B0.5 | |
| EI-2DARL-500 | 50:5 | 2.5 | 4.8 | - | - | 0.008 |
| EI-2DARL-101 | 100:5 | 5.0 | 1.2 | 2.4 | - | 0.018 |
| EI-2DARL-201 | 200:5 | 12.5 | 0.3 | 0.6 | 1.2 | 0.047 |



1800 Shames Drive
Westbury, NY, 11590

1-877-EIMETER
(1-877-346-3837)

Tel: 516-334-0870
Fax: 516-338-4741

Email: EIG_sales@hubbell.com
Website: www.electroind.com

