

# 4-Pole and 6-Pole CT Shorting Blocks

## Din Rail Mounted, Current Transformer Shorting Block

Model: EI-30CT04DR/EI-30CT06DR



### Features

- Captive hardware.
- Finger safe covers.
- DIN rail mounted.
- Safer than traditional shorting blocks.
- Easier to install.

### Description

EIG offers two options for CT shorting for meter installation:

- 4-pole Block Part #: EI-30CT04DR
- 6-pole Block Part #: EI-30CT06DR

These shorting blocks are designed to be a superior alternative to the traditional shorting block. They uniquely have captive hardware to prevent lost grounding screws. This design protects against errors, ensuring inherently safer installation or removal of meters from service. The CT shorting blocks indicate clearly when the screw is engaged and the circuit shunted. They are mounted using a traditional DIN mount for faster installation.

#### Physical Specifications

.562 Line to Line Spacing

Wire Range #10-#18 AWG Copper

Crimp Ring Lug or Spade Lug

#### Electrical Ratings

Current: 30 A (50/60 Hz or DC)

Voltage: 600 Volts AC/DC UL 1059 Class C, User Group-General Industrial

D.W.V. 4000 Volts RMS

Factory and Field Wiring

Short Circuit Current Rated At 10,000 A

#### Mechanical Ratings

Maximum Insulator Base Temperature:

- Continuous +300 °F (+149 °C)
- Short Term +338 °F (+170 °C)

Storage and Transportation Temperature

- +257 °F (+125 °C) to -55 °F (-48 °C)

Flammability Rating of Insulator: UL 94 V0

- Use outside these ranges needs to be evaluated based on end use

#### Materials

Connector:

- Brass Per QQ-B-613
- Cu Flash with Nickel Plate Per QQ-N-290
- 8-32 Threaded Terminations

Insulator:

- Glass Reinforced Polyester (Modified) Free of Halogens, Fluorocarbons, Chlorinated Hydrocarbons, Silicone, Asbestos, Cadmium and Formaldehyde

Screws:

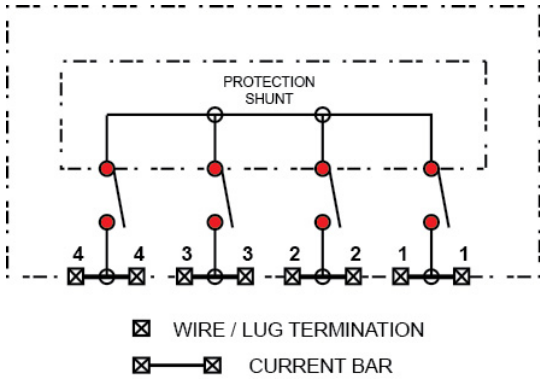
- 8-32 (Torque 10-12 LB. In/1.1-1.4 N-M)
- Brass Per QQ-W-321
- Cu Flash with Nickel Plate Per QQ-N-290

CT Shorting Circuit Bar:

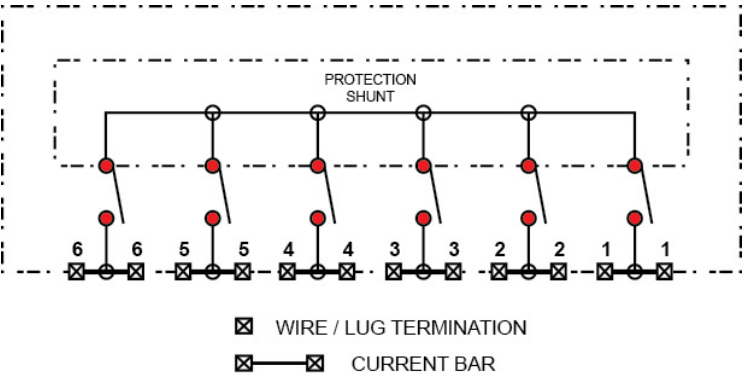
- Brass, tin plated

## Wiring Diagrams

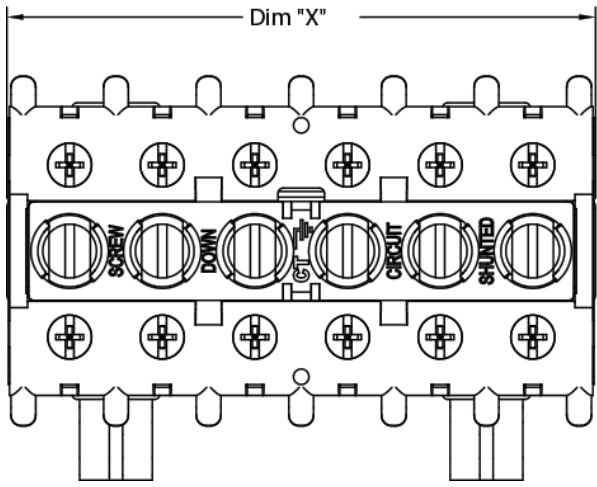
**30CT 04 - Shunt Off/Open Unwired**



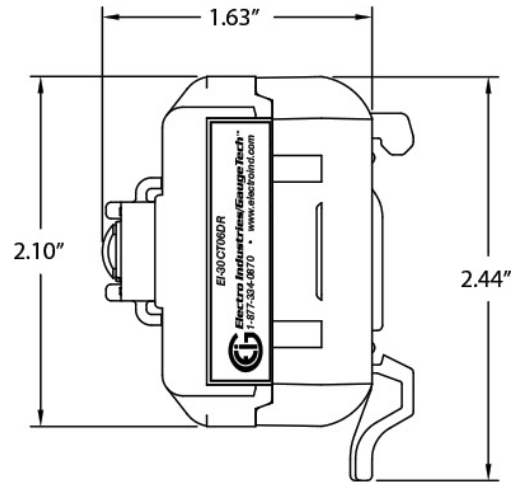
**30CT 06 - Shunt Off/Open Unwired**



**Front Dimensions**



**Side Dimensions**



## Agency Approvals

- UL Recognized, UL1059 Terminal Block Standard, File No. XCFR. E242845
- RoHS Compliant 2002/95/EC

No. of Poles	Dimension "X"	Part No.
4	2.40"	EI-30CT04DR
6	3.50"	EI-30CT06DR

### Ordering Information

Model: EI-30CT04DR	4-Pole CT Shorting Block
Model: EI-30CT06DR	6-Pole CT Shorting Block

### To Order Online

<https://www.electroind.com/product/4-pole-and-6-pole-ct-shorting-blocks/>



1800 Shames Drive, Westbury, NY 11590  
**1-877-EIMETER** (1-877-346-3837) | Tel: 516-334-0870  
 Fax: 516-338-4741 | Email: sales@electroind.com  
[www.electroind.com](http://www.electroind.com)

