

4-Pole and 6-Pole CT Shorting Blocks

Model: EI-30CT04DR/EI-30CT06DR

Features include:

- Captive hardware
- Finger safe covers
- DIN rail mounted
- Safer than traditional shorting blocks
- Easier to install

EIG offers two options for CT shorting for meter installation:

- 4-pole Block Part #: EI-30CT04DR
- 6-pole Block Part #: EI-30CT06DR

These shorting blocks are designed to be a superior alternative to the traditional shorting block. They uniquely have captive hardware to prevent lost grounding screws. This design protects against errors, insuring inherently safer installation or removal of meters from service. The CT shorting blocks indicate clearly when the screw is engaged and the circuit shunted. They are mounted using a traditional DIN mount for faster installation.

Physical Specifications
.562 Line to Line Spacing
Wire Range #10-#18 AWG Copper
Crimp Ring Lug or Spade Lug
Electrical Ratings
Current: 30 Amps (50/60 Hz or DC)
Voltage: 600 Volts AC/DC UL 1059 Class C, User Group-General Industrial
D.W.V. 4000 Volts RMS
Factory and Field Wiring
Short Circuit Current Rated At 10,000 Amps

Din Rail Mount, Current Transformer Shorting Block

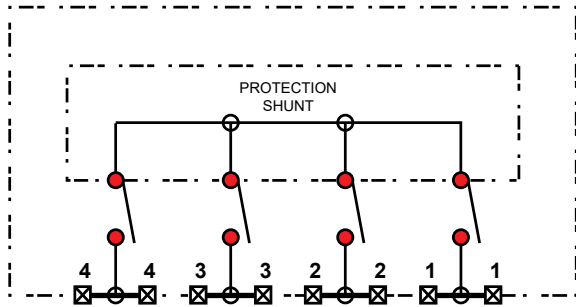


Mechanical Ratings
Maximum Insulator Base Temperature: <ul style="list-style-type: none"> • Continuous +300 °F (+149 °C) • Short Term +338 °F (+170 °C)
Storage And Transportation Temperature <ul style="list-style-type: none"> • +257 °F (+125 °C) to -55 °F (-48 °C)
Flammability Rating of Insulator: UL 94 VO <ul style="list-style-type: none"> • Use outside these ranges needs to be evaluated based on end use
Materials
Connector: <ul style="list-style-type: none"> • Brass Per QQ-B-613 • Cu Flash with Nickel Plate Per QQ-N-290 • 8-32 Threaded Terminations
Insulator: <ul style="list-style-type: none"> • Glass Reinforced Polyester (Modified) Free of Halogens, Fluorocarbons, Chlorinated Hydrocarbons, Silicone, Asbestos, Cadmium and Formaldehyde
Screws 8-32 (Torque 10-12 LB. In/1.1-1.4 N-M) <ul style="list-style-type: none"> • Brass Per QQ-W-321 • Cu Flash with Nickel Plate Per QQ-N-290
CT Shorting Circuit Bar: <ul style="list-style-type: none"> • Brass, tin plated



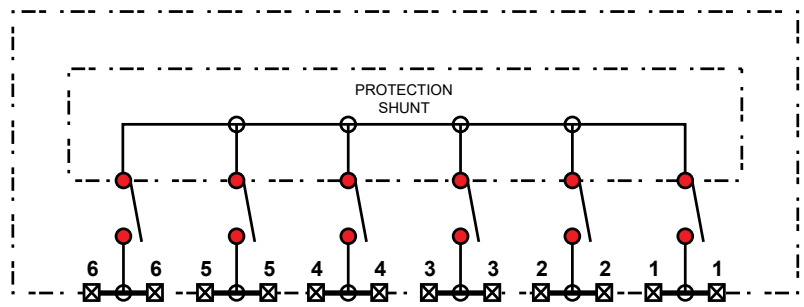
Electro Industries/GaugeTech™
The Leader in Power Monitoring and Smart Grid Solutions™

Wiring Diagram / Dimensional Drawings



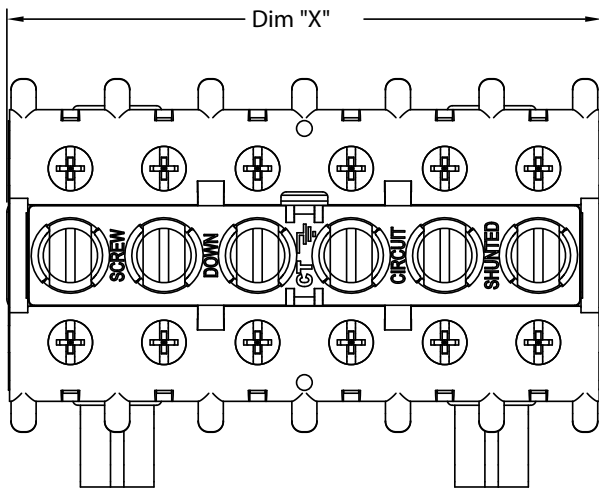
☒ WIRE / LUG TERMINATION
 ☒—☒ CURRENT BAR

30CT 04
Shunt Off/Open Unwired

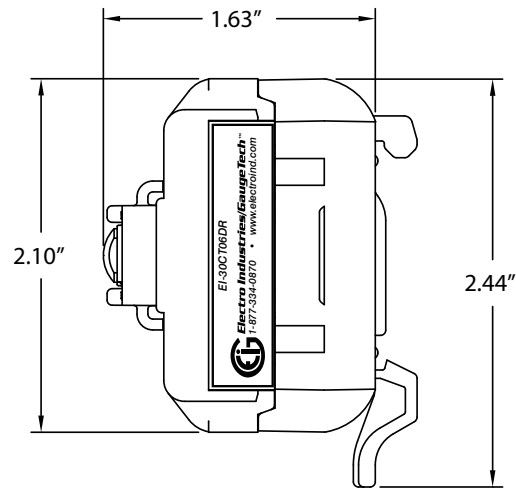


☒ WIRE / LUG TERMINATION
 ☒—☒ CURRENT BAR

30CT 06
Shunt Off/Open Unwired



Front Dimensions



Side Dimensions

Agency Approvals:

- UL Recognized, UL1059 Terminal Block Standard, File No. XCFR.E242845
- RoHS Compliant 2002/95/EC

No. of Poles	Dimension "X"	Part No.
4	2.40"	EI-30CT04DR
6	3.50"	EI-30CT06DR

Ordering Information

Model: EI-30CT04DR	4-Pole CT Shorting Block
Model: EI-30CT06DR	6-Pole CT Shorting Block

To Order Online



www.electroind.com/product/4-pole-and-6-pole-ct-shorting-blocks

