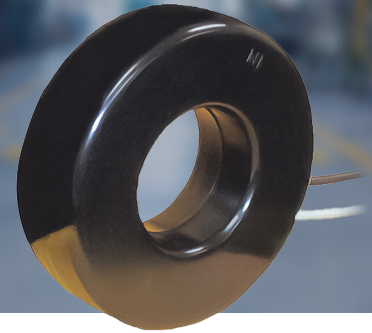


Current Transformer Model EI-5ARL-401

Window Diameter 1.56"



| Catalog Number | Current Ratio | VA \pm 1% Class | ANSI Metering Class @ 60 Hz | | | | | Secondary Winding Resistance (OHMS @ 75 °C) | Continuous Thermal Rating Factor | |
|----------------|---------------|-------------------|-----------------------------|------|------|------|------|---|----------------------------------|---------|
| | | | B0.1 | B0.2 | B0.5 | B0.9 | B1.8 | | @ 30 °C | @ 55 °C |
| EI-5ARL-401 | 400:5 | 20.0 | 0.3 | 0.3 | 0.6 | 1.2 | 1.2 | 0.091 | 1.5 | 1.0 |

Application

- Ammeters, watt meters, and Revenue Metering applications

Rating Factor

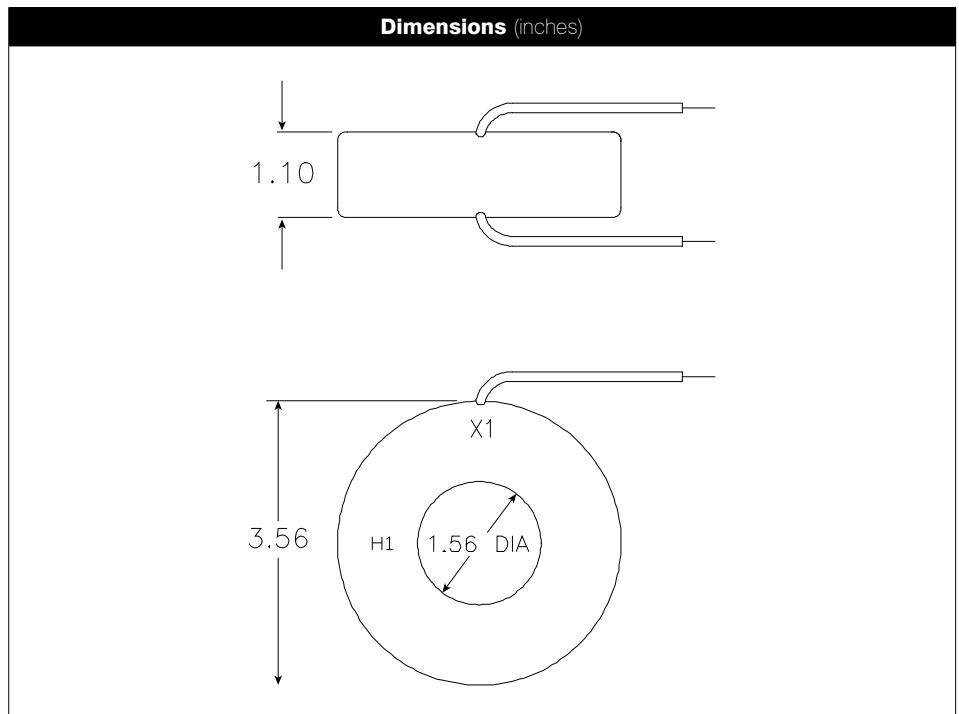
- 1.5 @ 30 °C

Frequency

- (50-400) Hz

Insulation Level

- 600 Volts, 10 kV BIL full wave



Flexible leads are UL 1015, 105 °C, CSA approved, #16 AWG, 24" long. Non-standard, lead length can be specified.

Approximate weight is 0.1 lb.



1800 Shames Drive
Westbury, NY, 11590

1-877-EIMETER
(1-877-346-3837)

Tel: 516-334-0870
Fax: 516-338-4741

Email: EIG_sales@hubbell.com
Website: www.electroind.com

