

# Current Transformer Model EI-76RL Series

Window Diameter 3.00"



CATALOG NUMBER	CURRENT RATIO	ACCURACY @ 60 Hz	BURDEN VA @ 60 Hz
EI-76RL-122	1200:5	±1%	10.0
EI-76RL-202	2000:5	±1%	15.0

## Application:

Ammeters, wattmeters, and cross current compensation

## Frequency:

(50 - 400) Hz

## Insulation Level:

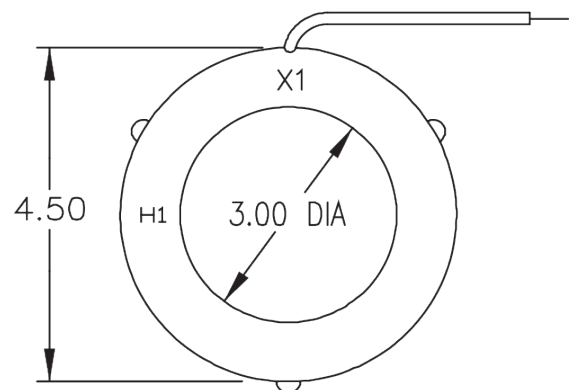
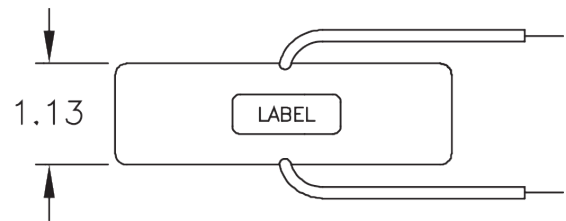
600 V AC, 10 kV AC BIL full wave

Flexible leads are UL 1015, 105 °C, CSA approved, #16 AWG, 24" long.

Terminals are brass studs No. 8-32 with one flatwasher, lockwasher and regular nut.

Approximate weight is 1.5 lbs.

Model 76RL



**Note:** Dimensions are in inches.



1800 Shames Drive, Westbury, NY 11590 **1-877-EIMETER**  
(1-877-346-3837) **Tel:** 516-334-0870 **Fax:** 516-338-4741  
**Email:** sales@electroind.com **www.electroind.com**



76RL web page

EI-76RL Series 062124 V.1.01