

Current Transformer Model EI-WC2 Series

Window Size 1.00" x 1.40"



CATALOG NUMBER	CURRENT RATIO	ACCURACY AT 60 Hz
EI-WC2-060-RA01	60:1A	1.0
EI-WC2-100-RA01	100:1A	1.0
EI-WC2-200-RA01	200:1A	0.5
EI-WC2-400-RA01	400:1A	0.5

Model WC2 Series

Application:

Ammeters, diagnostics, and energy monitoring

Frequency:

(40 to 400) Hz

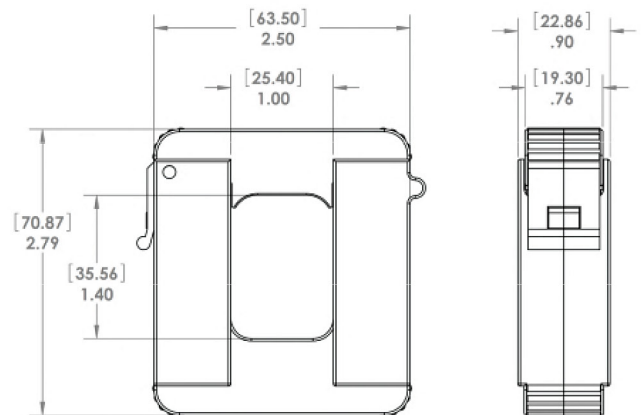
Insulation Level:

600 V AC, 10 kV AC BIL full wave

Thermal Factor:

1.0 @ 30 °C ambient

Approximate weight is 0.5 lbs.



Note: Dimensions are in inches [mm].

