

The WC4 Series provides precision measurement for submetering, control and energy management without dismantling the main line. Ergonomically designed with secured latch and keying hole for locking or servicing tag, this CT is the most popular among the WC Series.



FEATURES

- 1.3" x 1.7" window opening (ID)
- Secured latch & keying hole for locking/date tag
- Swings open for ease of installation
- Rigid housing case with UL 94V-0 durable plastic
- 6ft black/white twisted pair wire leads— 16AWG
- Wire leads — UL1015, 105°C, 600V

APPLICATIONS

- Energy and submetering products
- Electrical load monitoring
- Network equipment
- Instruments and sensors
- Control systems
- Go GREEN initiatives
- Custom design Turns-Ratio available

SPECIFICATIONS

- Standard Input Current 100-400A
- Frequency 50Hz — 400Hz
- Insulation Class 0.6kV, BIL 10kV Full Wave
- Continuous Thermal Rating 1.33 at 55°C
- Meets IEEE C57.13 & IEC 60044-1, UL 61010-1 & CAN/CSA C22.2 Standards
- Regulatory Listing Agency ETL 4004390
- Approximate Weight 1.1Lbs

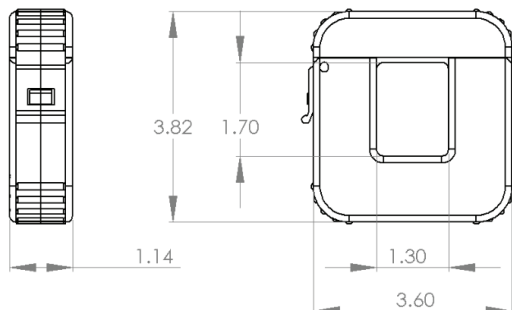
Specifications subject to change without notice

STANDARD PART-NUMBER

ELECTRO INDUSTRIES P/N	CURRENT RATIO	BURDEN (VA)	ACCURACY @ 60Hz
EI-WC4-100-RA05	100:5	1.50	1.00
EI-WC4-200-RA05	200:5	2.10	0.50
EI-WC4-300-RA05	300:5	2.40	0.50
EI-WC4-400-RA05	400:5	2.75	0.50

(For 1 A secondary, substitute -RA01 for -RA05.)

DIMENSIONS (Inches)



CAUTION

Before installation, safety precautions must be followed by licensed professional. Never energize primary unless terminals are short-circuited or burden connected to secondary.



EI-WC4 Series 051419 Rev 5