

Current Transformer Model EI-WC5 Series

Window Diameter 2.00" x 3.50"



CATALOG NUMBER	CURRENT RATIO	BURDEN (VA)	ACCURACY @ 60 Hz
EI-WC5-400-RA05	400:5	2.25	0.75
EI-WC5-600-RA05	600:5	2.75	0.50
EI-WC5-800-RA05	800:5	3.75	0.50

Description:

The WC5 Series provide precision measurement for sub-metering, controls and energy management without dismantling the main line. Ergonomically designed with secured latches and keying holes, this CT handles medium to high load while retaining its compact size.

Applications:

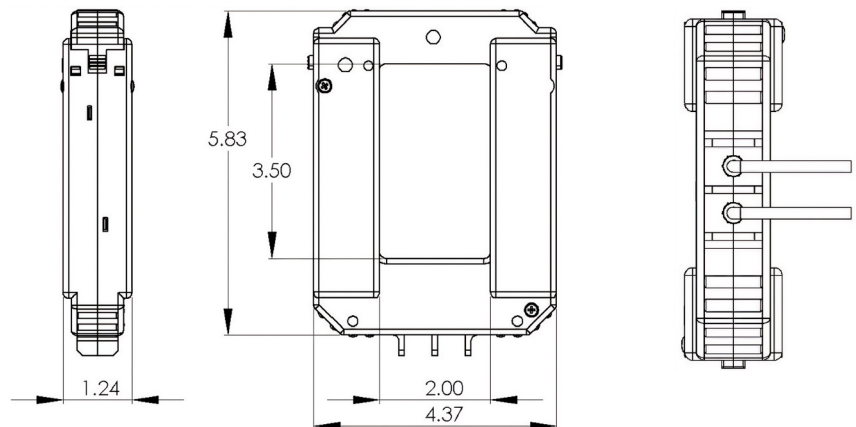
- Energy and submetering products
- Electrical load monitoring
- Network equipment
- Instruments and sensors
- Control systems
- Go GREEN initiatives
- Custom design turns ratio available

Specifications:

- Standard Input Current (300 -1000) A
- Frequency (50 - 400) Hz
- Insulation Class 0.6kV, BIL 10kV Full Wave
- Continuous Thermal Rating 1.33 at 55 °C
- Meets C57.13 Standard
- Regulatory Listing Agency ETL4004390
- Approximate Weight 1.7 Lbs

Features:

- 2.0" x 3.5" window opening (ID)
- Double secured latches per side and keying holes
- Built-in tabs for easy removal and installation
- Rigid housing case with UL 94V-0 durable plastic
- 6 foot black/white twisted pair wire leads —16AWG
- Wire leads — UL1015 105 °C 600V



Caution: Before installation, safety precautions must be followed by a licensed professional. Never energize primary unless short circuited terminals or burden is connected to secondary.



1800 Shames Drive, Westbury, NY 11590 **1-877-EIMETER**
(1-877-346-3837) **Tel:** 516-334-0870 **Fax:** 516-338-4741
Email: sales@electroind.com **www.electroind.com**



WC5 web page

EI-WC5 Series 071822 V.1.02