

The WC5 Series provide precision measurement for sub-metering, controls and energy management without dismantling the main line. Ergonomically designed with secured latches and keying holes, this CT handles medium to high load while retaining compact size.



**FEATURES**

- 2.0" x 3.5" window opening (ID)
- Double secured latches per side & keying holes
- Built-in tabs for easy removal and installation
- Rigid housing case with UL 94V-0 durable plastic
- 6-ft black/white twisted pair wire leads —16AWG
- Wire leads — UL1015 105°C 600V

**APPLICATIONS**

- Energy and sub-metering products
- Electrical load monitoring
- Network equipment
- Instruments and sensors
- Control systems
- Go GREEN initiatives
- Custom design Turns-Ratio available

**SPECIFICATIONS**

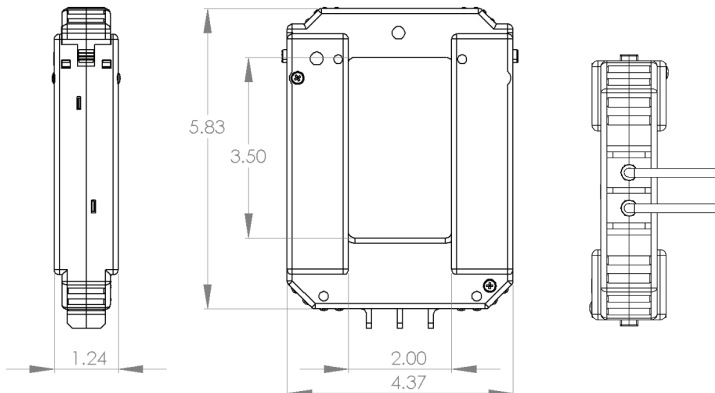
- Standard Input Current 300-1000A
- Frequency 50Hz — 400Hz
- Insulation Class 0.6kV, BIL 10kV Full Wave
- Continuous Thermal Rating 1.33 at 55°C
- Meets C57.13 Standard
- Regulatory Listing Agency ETL4004390
- Approximate Weight 1.7Lbs

Specifications subject to change without notice

**STANDARD PART-NUMBERS**

ELECTRO INDUSTRIES P/N	CURRENT RATIO	BURDEN (VA)	ACCURACY @ 60Hz
EI-WC5-400-RA05	400:5	2.25	0.75
EI-WC5-600-RA05	600:5	2.75	0.50
EI-WC5-800-RA05	800:5	3.75	0.50

**DIMENSIONS (Inches)**



**CAUTION**

Before installation, safety precautions must be followed by licensed professional. Never energize primary unless short circuited terminals or burden connected to secondary.

MADE IN USA with Domestic & Imported Components



EI-WC5 Series 031219 Rev 1