

Current Transformer Model EI-WC6 Series

Window Size 2.00" x 5.50"

CATALOG NUMBER	CURRENT RATIO	BURDEN (VA)	ACCURACY @ 60 Hz
EI-WC6-1000-RA05	1000:5	5.00	0.5
EI-WC6-1200-RA05	1200:5	5.25	0.5
EI-WC6-1600-RA05	1600:5	6.25	0.5
EI-WC6-2000-RA05	2000:5	8.00	0.5



Description:

The WC6 Series provide precision measurement for sub-metering, controls and energy management without dismantling the main line. Ergonomically designed with secured latches and keying holes, this CT has the largest ID of WC Series making suitable for high load applications.

Applications:

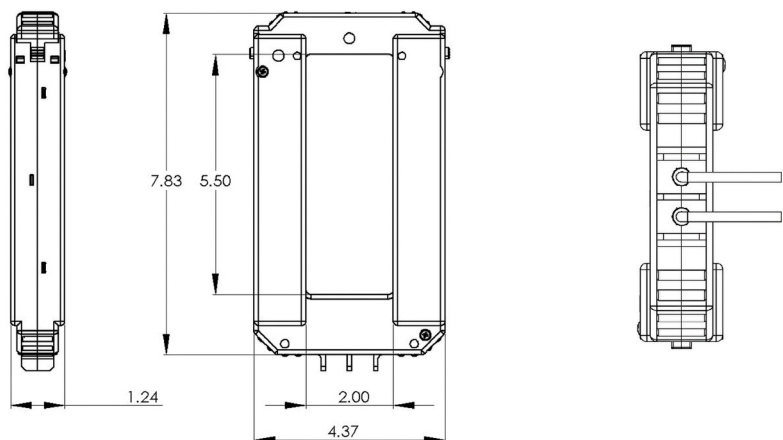
- Energy and submetering products
- Electrical load monitoring
- Network equipment
- Instruments and sensors
- Control systems
- Go GREEN initiatives
- Custom design Turns — Ratio available

Specifications:

- Standard Input Current (300-2000) A
- Frequency (50 - 400) Hz
- Insulation Class 0, 6kV, BIL 19kV Full Wave
- Continuous Thermal Rating 1.33 at 55 °C
- Meets C57.13 Standard
- Regulatory Listing Agency ETL4004390
- Approximate Weight 2.2 Lbs

Features:

- 2.0" x 5.5" window opening (ID)
- Double secured latches per side and keying holes
- Built-in tabs for easy removal and installation
- Rigid housing case with UL 94V-0 durable plastic
- 6 foot twisted wire leads black/white 16AWG
- Wire leads — UL1015 105 °C 600V



Caution: Before installation, safety precautions must be followed by a licensed professional. Never energize primary unless short circuited terminals or burden is connected to secondary.



1800 Shames Drive, Westbury, NY 11590 **1-877-EIMETER**
(1-877-346-3837) **Tel:** 516-334-0870 **Fax:** 516-338-4741
Email: sales@electroind.com **www.electroind.com**



WC6 web page

EI-WC6 Series 013123 V.1.05