

The WC6 Series provide precision measurement for sub-metering, controls and energy management without dismantling the main line. Ergonomically designed with secured latches and keying holes, this CT has the largest ID of WC Series making it suitable for high load applications.



**FEATURES**

- 2.0" x 5.5" window opening (ID)
- Double secured latches per side and keying holes
- Built-in tabs for easy removal and installation
- Rigid housing case with UL 94V-0 durable plastic
- 6-ft twisted wire leads black/white 16AWG
- Wire leads — UL1015 105°C 600V

**APPLICATIONS**

- Energy and sub-metering products
- Electrical load monitoring
- Network equipment
- Instruments and sensors
- Control systems
- Go GREEN initiatives
- Custom design Turns-Ratio available

**SPECIFICATIONS**

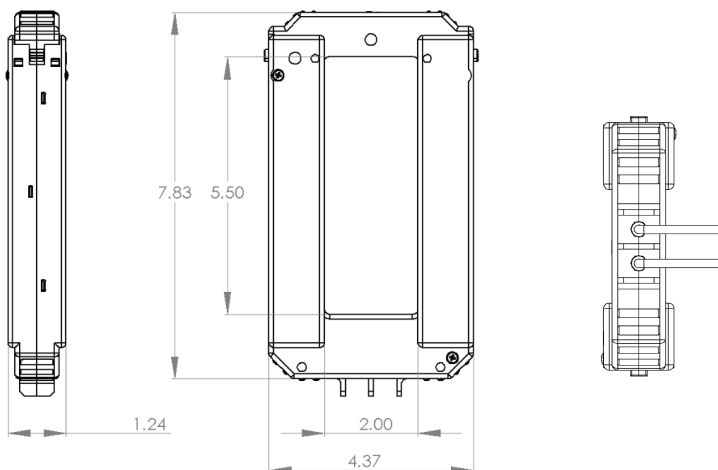
- Standard Input Current 300-2000A
- Frequency 50HZ — 400Hz
- Insulation Class 0, 6kV, BIL 19kV Full Wave
- Continuous Thermal Rating 1.33 at 55°C
- Meets C57.13 Standard
- Regulatory Listing Agency ETL4004390
- Approximate Weight 2.2Lbs

Specifications subject to change without notice

**STANDARD PART-NUMBERS**

ELECTRO INDUSTRIES P/N	CURRENT RATIO	BURDEN (VA)	ACCURACY @ 60Hz
EI-WC6-1000-RA05	1000:5	5.00	0.5
EI-WC6-1200-RA05	1200:5	5.25	0.5
EI-WC6-1600-RA05	1600:5	6.25	0.5
EI-WC6-2000-RA05	2000:5	8.00	0.5

**DIMENSIONS (Inches)**



**CAUTION**

Before installation, safety precautions must be followed by licensed professional. Never energize primary unless short circuited terminals or burden connected to secondary.



EI-WC6 Series 032819 Rev 3