

WIRELESS MODEM KIT

Easy Install Wireless Cell Phone Modem Kit

Communicate Wirelessly with Any RS485 Device or Network

WM1

Features

- Provides Reliable Cell Phone Serial Communication
- Signal Buffering Reduces Cell Problems
- Mounted in an Outdoor Rated NEMA4 Enclosure
- Power Supply Included
- Simple to Use and Set Up
- Options for either CDMA or GSM Networks



Description

In response to industry requests to provide reliable wireless-based communication to remote meters, EIG has designed the Wireless Modem Kit to improve and simplify communication with remote meters or IEDs using CDMA or GSM wireless cell phone communication. The kit also includes the line-saving, intelligent buffering capabilities of the Modem Manager RS485-to-RS232 Converter. **NOTE: Your local area must support Digital Circuit Switched Data Technology.**

Outdoor Rated NEMA4 Enclosure

Enclosed in a NEMA4 water-tight enclosure, the unit is designed to be installed next to Socket meters, on poll tops or anywhere remote serial based telemetry is needed. The unit is not IED specific and will allow virtually any serial device to communicate easily and reliably using cell phone infrastructure.

Flexible Solution

The WM1 can be ordered with or without a cell modem. EIG can provide either a CDMA-based or GSM-based data cell modem. If ordered without a modem, the user can install a modem in the field by utilizing the included cables.

Intelligent Buffering Improves Cell Phone Reliability

This kit improves the cell phone communication reliability by buffering the communication and holding the signal, making the communication inherently more reliable.

Both CDMA and GSM Systems Available

The kit is designed to work with either a GSM or CDMA solution. Simply order the kit with the particular modem required. When networking with CDMA systems in the US, EIG, a National Data Agent with Verizon Wireless, can provision and assign telephone numbers to the modem. In this way, your kit arrives with a number and billing system completed.

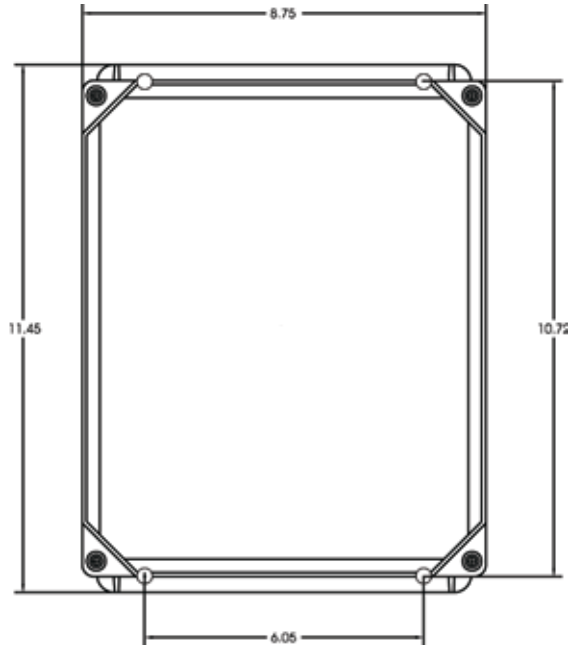
Included in the Kit

- NEMA4 Enclosure
- 12VA Power Supply (120 Volt AC/DC)
- Modem Manager
- Patch Antenna
- Optional Wireless Modem

Dimensions

OUTSIDE DIMENSIONS

Height = 11.45"
 Width = 8.75"
 Depth = 5.43"



Specifications

COMMUNICATION INPUT

RS485 2-Wire or 4-Wire
 Up to 57.6K Baud Input

POWER SUPPLY INPUT

120 Volts AC/DC +/-20%
 12 VA Burden

WIRELESS COMMUNICATION OUTPUT - CIRCUIT SWITCHED DATA

CDMA: 14,400 Baud Max
 GSM: 14,400 Baud Max
 Limitations are due to speed of the wireless network.
 Results can vary by area and provider.

TYPE OF RADIO

Since Cell Phone Radio technology changes rapidly, call EIG for the latest Cell Modem offered.

WIRELESS COMMUNICATION OUTPUT - PACKET DATA

CDMA: CDMA2000 1xRTT
 Dual Band 800/1900
 Packet Data Speed 153K bps (Max)
 GSM/GPRS: GPRS Class 10
 Dual Band 800/1900 or 900/1800
 Packet Data Speed 48K bps (Max)

Ordering Information

Model	Modem Option
Option Numbers:	-
Example:	WM1 - 2
WM1	- 1 No Modem
	- 2 CDMA Modem
	- 3 GSM Modem

TYPICAL ORDERING EXAMPLE

WM1-2-P : This order provides a Wireless Modem Kit with a CDMA Modem provisioned by Electro Industries for a telephone number in your area.

PROVISIONING INFORMATION

Electro Industries is a preferred Verizon Wireless National Data Agent. We can provision and configure units so that they ship with a preconfigured cell number. For provisioning, please provide the following:

Area Code of number desired.

Billing information including Name, Address, Telephone Number, Fax Number and Contact Name.



Electro Industries/GaugeTech
 1800 Shames Drive • Westbury, NY 11590
1-877-EIMETER (1-877-346-3837) • **E-Mail:** sales@electroind.com
Tel: 516-334-0870 • **Web Site:** www.electroind.com • **Fax:** 516-338-4741