

# LED Display

For Nexus® Substation Meters

# P40N+

## Features

- Designed for New or Retrofit Nexus® Series Meters
- Provides 5½ Digit Resolution
- New USB Front Panel Download Port
- Alpha-numeric Indicators Provide Simple User Interface
- Master/Slave Capability Creates Up to 9 Individual Real Time Screens



## Description

The new P40N+ is designed to provide an excellent, high visibility display of metering values from Nexus® Series substation meters. Designed with a long life LED display, it utilizes unique alpha-numeric serial indications that allow field personnel to easily identify reading values. The P40N+ display is essential in critical applications and important substation applications.

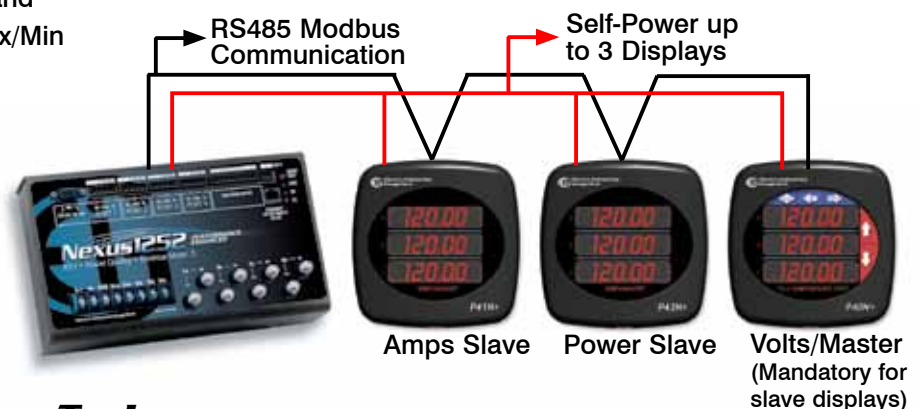
The P40N+ offers 75 data screens which display Voltage, Current, Power, Energy, Phase Angle and Phase Sequence, as well as Instantaneous, Max/Min and THD data.

### Advanced USB Download Port

The USB port on the front of the P40N+ lets you connect directly to the Nexus® meter to program it, poll readings, and download data.

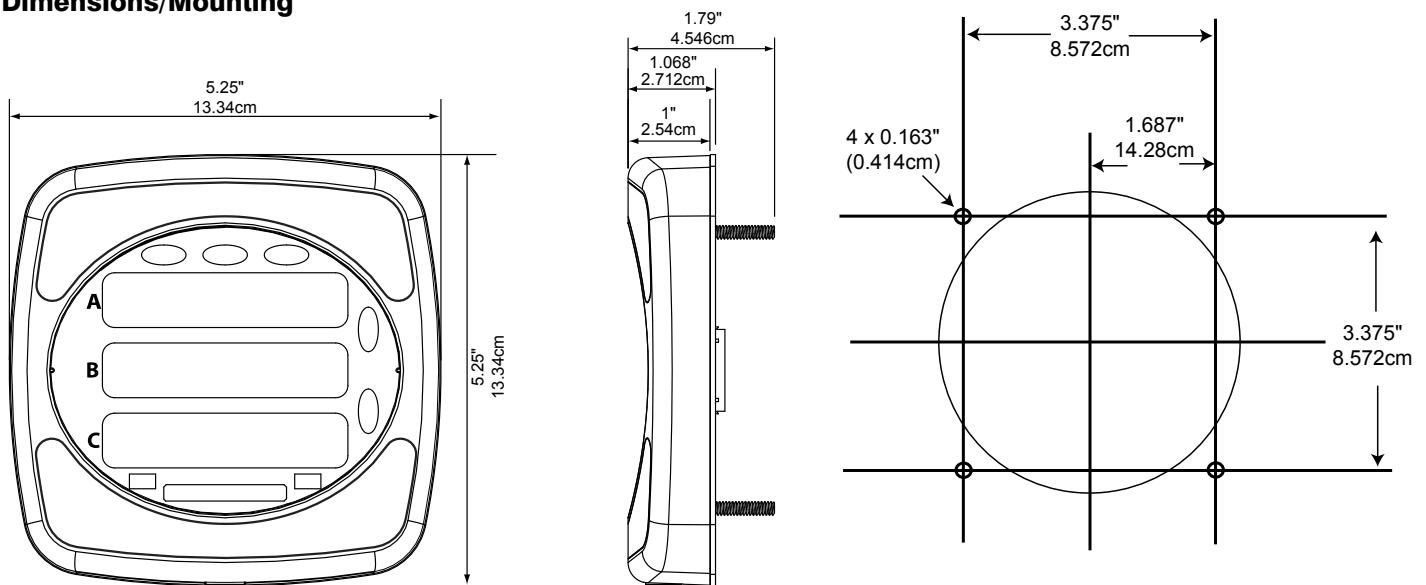
## Master Slave Capability for up to 9 Simultaneous Readings

With its Master/Slave display capability, the P40N+ display allows you to provide annunciation for Voltage, Current and Power simultaneously. Using this technology, you will be able to replace your substation panel instrumentation using one base transducer and multiple displays. Note that the Volts/Master (P40N+) display must be in the loop to communicate with the slave displays.



Specifications	Nexus® P40N+, P41N+, P43N+ LED External Display
Maximum Input Voltage	30V DC
Minimum Input Voltage	12V DC
Maximum Power Consumption	5 Watts
Nominal Power Consumption	Approximately 3 Watts
Operating Temperature Range	-20°C to + 70°C / -4°F to + 158°F
Overall Dimensions (H x W x L)	5.25 x 5.25 x 1.79 in / 13.34 x 13.34 x 4.54 cm

### Dimensions/Mounting



P40N+ ANSI C39.1 Drill Plan

### Specifications and Ordering Information

P40N+	LED Master Display (Multifunction, Defaults to Volts)
P41N+	LED Amps Slave Display (Three-phase Current)
P43N+	LED Power Slave Display (Watt/VAR/PF)
PB1-12VO	Power Brick External Power Supply 125 Volts AC/DC Inputs, 12 Volts DC Output (Necessary when powering multiple displays from a single Nexus® with I/O or if displays are mounted more than 50 feet away).



**Electro Industries/GaugeTech**  
The Leader in Power Monitoring and Smart Grid Solutions

1800 Shames Drive • Westbury, NY 11590 • Tel: 516-334-0870 • 1-877-EIMETER (1-877-346-3837)  
Fax: 516-338-4741 • E-Mail: sales@electroind.com • Web Site: www.electroind.com