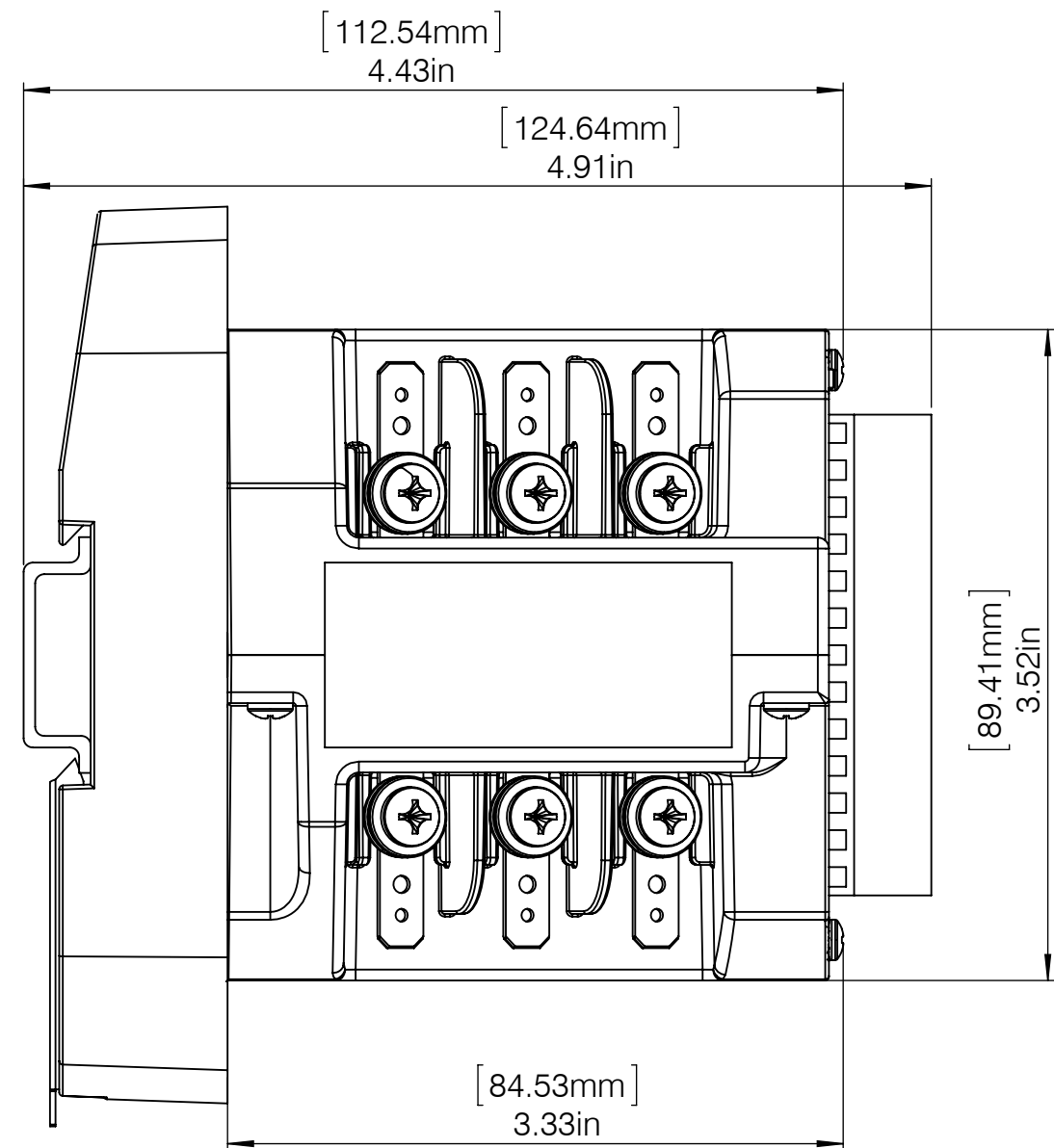
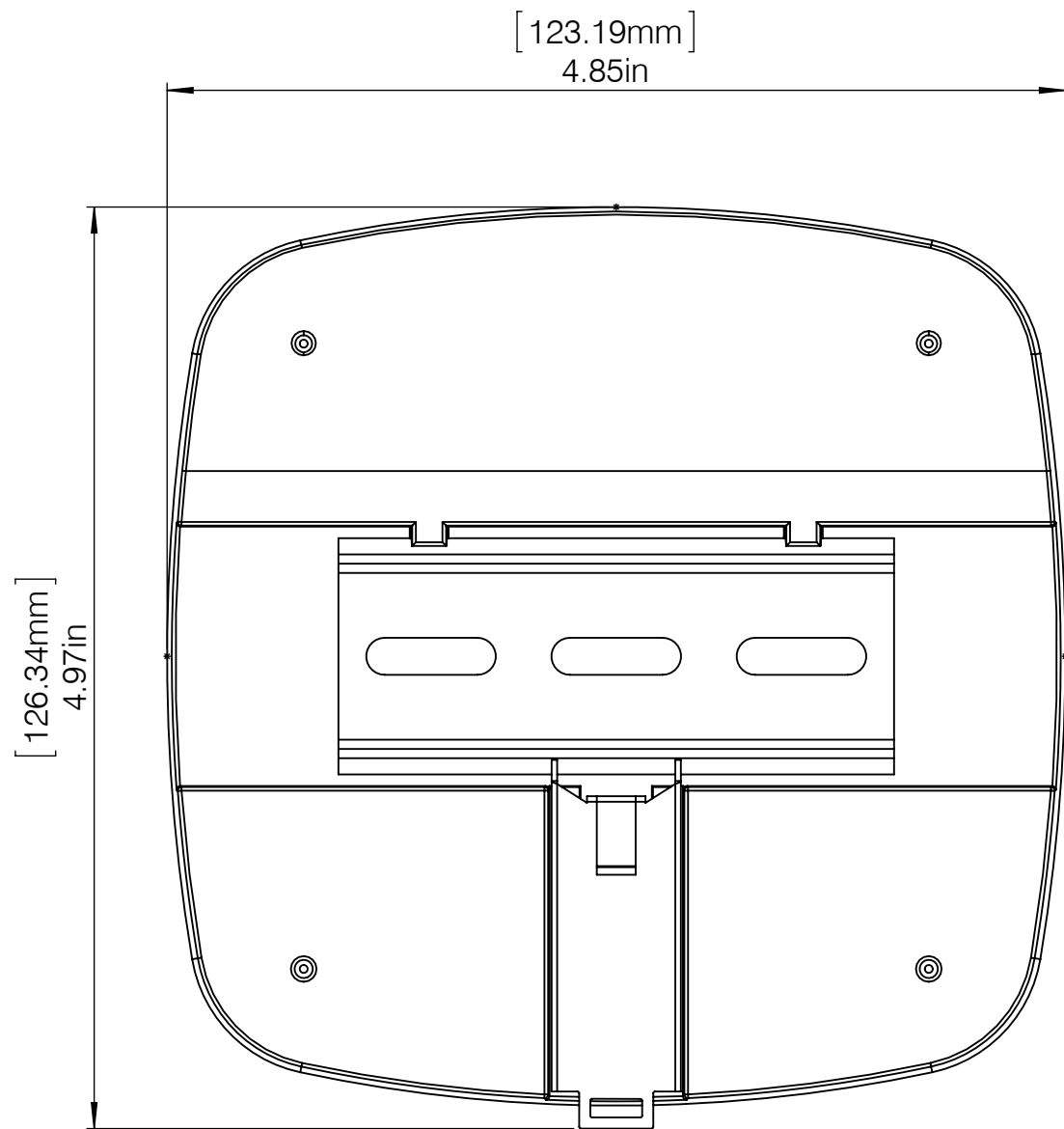


REVISION HISTORY					
REV	BY	RELEASE DATE	DESCRIPTION	ORIGINATOR	CHANGE ORDER
A	EM	8/22/16	FIRST RELEASE	EM	4231



SIZE	SCALE
B	DO NOT SCALE DRAWING

SOLIDWORKS GENERATED DRAWING

THESE DRAWINGS AND SPECIFICATIONS ARE THE PROPERTY OF ELECTRO INDUSTRIES AND SHALL NOT BE REPRODUCED, COPIED, OR USED FOR MANUFACTURE OR SALE OF APPARATUS WITHOUT WRITTEN PERMISSION OF ELECTRO INDUSTRIES.

TOLERANCES AND SYMBOLS PER ANSI/AMSE Y14.5M-1994 DIMENSIONS SPECIFIED ARE AFTER ADDITIVE FINISH.

DECIMALS .XX ± 0.010 .XXX ± 0.005 for 1st 5 inches plus 0.001 each additional inch.)	ANGLES XX ± 0.5° XX.X ± 0.1°	MATERIAL: N/A
SURF. FINISH N/A	DRAWN BY: EM ENGINEERING CHECK: TB DOCUMENTATION CHECK: DS	DATE: 8/22/16 DATE: 8/22/16 DATE: 8/22/16

FOR DIMENSIONS NOT SHOWN USE DIGITAL DATA.
FILE NAME: E145712-A-8-22-16.ZIP

PART NUMBER: E145712

Electro Industries/Gaugetech
1800 SHAMES DRIVE WESTBURY, NEW YORK 11590-1730

TITLE: SHARK 100T / 200T

TITLE DESCRIPTION:
UNIT DIMENSIONS

REV. NO A	CHANGE ORDER 4231	RELEASE DATE 8/22/16	SHEET 1 OF 1
--------------	----------------------	-------------------------	-----------------